

Producer: **Frascold**
 Line: **Z**
 Model: **Z25-106Y**
 Cooling capacity [kW]: **50.32**
 Displacement [m³/h]: **106**
 Refrigerant: **R22, R134a, R404A, R407A, R407F, R448A, R449A, R450A, R452A, R507, R513A**
 Capacity control: **None, Step (option), Inverter (option)**
 Power supply: **400V/3Ph/50Hz**

Data

Technical data

Displacement	[m ³ /h]	106
Cylinders quantity		6
Oil charge	[l]	3.70
Oil type		POE68
Type of lubrication		Oil pump
Net weight	[kg]	220

Electrical data

Power supply		400V/3Ph/50Hz
Maximum operating current	[A]	53.6
Locked rotor amperage	[A]	118.3
Locked rotor amperage, DOL	[A]	202.7
Maximum motor frequency	[Hz]	70
Minimum motor frequency	[Hz]	30
Nominal motor power for 50 Hz	[kW]	18.64
Nominal motor power for 50 Hz	[HP]	25.00
Motor connection		PWS

Dimensions

Suction valve diameter (SV)	[inch]	2 1/8
Suction valve diameter (SV)	[mm]	54.0
Discharge valve diameter (DV)	[inch]	1 3/8
Discharge valve diameter (DV)	[mm]	35.0
Length	[mm]	765
Height	[mm]	457
Width	[mm]	509

Other

Approved refrigerants	R22, R134a, R404A, R407A, R407F, R448A, R449A, R450A, R452A, R507, R513A
Capacity control	None, Step (option), Inverter (option)

Performance

Nominal conditions: refrigerant: R404A , evaporation (dew point): -10 °C, condensation (dew point): 45 °C, superheating: 10 K, subcooling: 0 °C

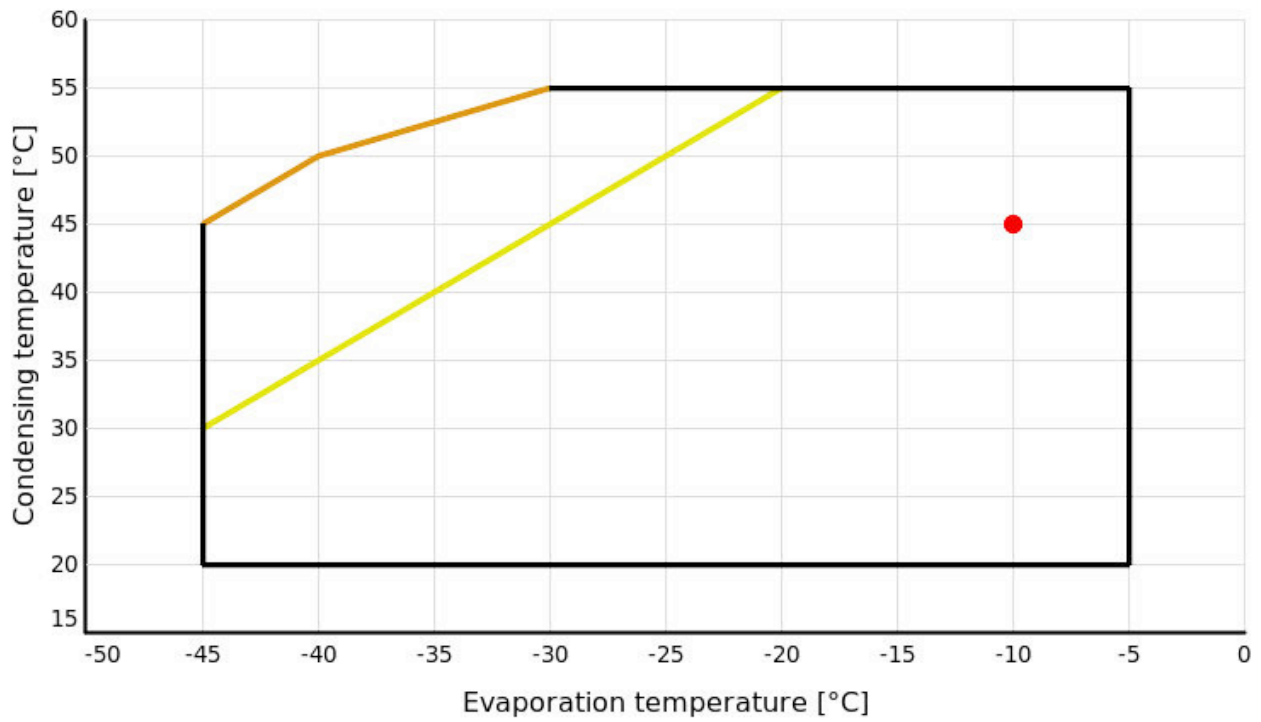
Cooling capacity [kW]

		Evaporation temperature [°C]								
		-45	-40	-35	-30	-25	-20	-15	-10	-5
Condensation temperature [°C]	55				12.38	17.04	22.82	29.90	38.49	48.79
	50		7.01	10.45	14.79	20.17	26.78	34.79	44.40	55.80
	45	5.25	8.37	12.33	17.27	23.37	30.79	39.71	50.32	62.80
	40	6.31	9.83	14.28	19.83	26.62	34.84	44.65	56.24	69.79
	35	7.47	11.37	16.31	22.44	29.92	38.92	49.61	62.17	76.75
	30	8.71	12.99	18.40	25.10	33.26	43.02	54.57	68.07	83.67
	25	10.04	14.67	20.54	27.80	36.61	47.13	59.52	73.94	90.54
	20	11.43	16.41	22.72	30.52	39.97	51.22	64.44	79.77	97.35

Power consumption [kW]

		Evaporation temperature [°C]								
		-45	-40	-35	-30	-25	-20	-15	-10	-5
Condensation temperature [°C]	55				15.65	18.48	21.45	24.48	27.49	30.42
	50		10.62	12.93	15.47	18.16	20.94	23.72	26.44	29.02
	45	8.60	10.59	12.84	15.26	17.79	20.35	22.87	25.28	27.50
	40	8.60	10.56	12.72	15.01	17.35	19.68	21.92	23.99	25.82
	35	8.60	10.50	12.56	14.70	16.84	18.91	20.85	22.56	23.99
	30	8.59	10.42	12.35	14.31	16.23	18.03	19.64	20.98	21.98
	25	8.54	10.28	12.07	13.84	15.51	17.02	18.28	19.23	19.78
	20	8.46	10.08	11.71	13.26	14.67	15.86	16.75	17.29	17.38

Application range

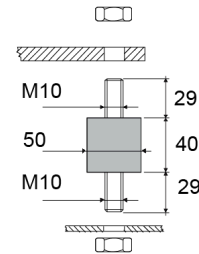
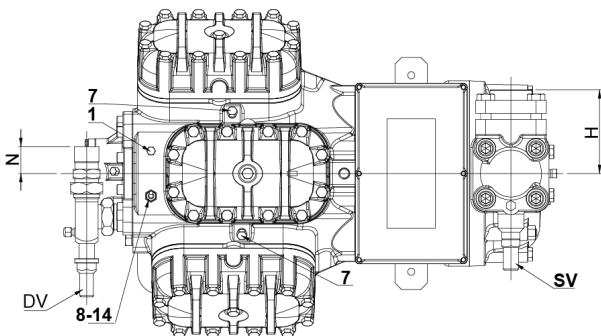
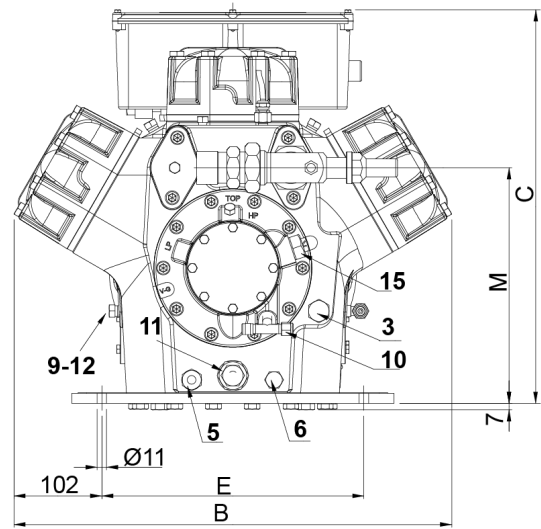
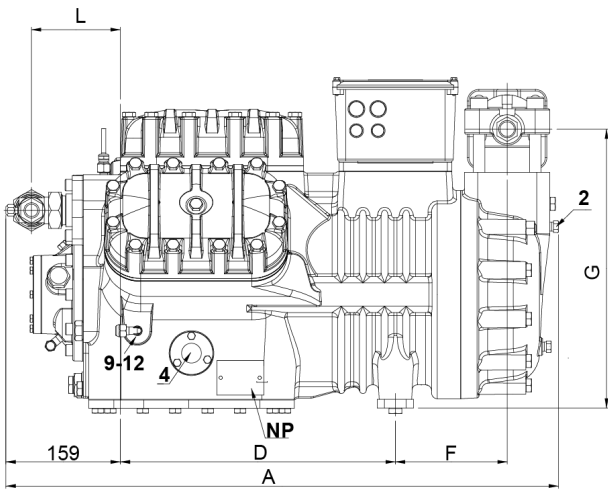


Legend

- With additional header cooling
- Without cooling
- Current operating conditions

Reference conditions - suction gas temperature: 20°C, subcooling: 0 K.

Dimensions



Symbols

1	High pressure connection	1/8" NPT
2	Low pressure connection	1/4" NPT
3	Oil charge plug	3/8" GAS
4	Oil level sight glass	-
5	Crankcase heater seat	-
6	Oil drain plug	1/4" GAS
7	Liquid injection plug	1/4" NPT
8	Liquid injection sensor plug	1/8" NPT
9	Oil pressure switch connection (LP)	1/4" NPT
10	Oil pressure switch connection (HP)	1/4" SAE
11	Oil filter	3/8" GAS
12	Oil return plug	1/4" NPT
14	Max. discharge temperature sensor connection	1/8" NPT
15	Electronic oil pressure switch connection	-

DV	Discharge valve
SV	Suction valve
NP	Nameplate

Compressor dimensions

Dimension A	[mm]	765
Dimension B	[mm]	509
Dimension C	[mm]	457
Dimension D	[mm]	381
Dimension E	[mm]	305

Valves position

Dimension F	[mm]	155
Dimension G	[mm]	386
Dimension H	[mm]	130
Dimension L	[mm]	123
Dimension M	[mm]	274
Dimension N	[mm]	42